

VMC 100

Technical Data

Standard configuration

Card dimensions
card: CR80 (ISO 7810),
53.98 x 85.6 mm

leaflet: 54-1 x 82+1 mm

Pack height:
4.00 mm

Production speed
up to 120 cards/minute
(7.200 cards/hour)

Sealing process
thermal sealing

Film specification
4 GP film, 25 µm

film roll size:
inner diameter: 76 mm
outer diameter: 280 mm

center folded film:
width: 110 x 110 mm

single wound film (option):
width: 220 mm

Control
Siemens S7 with operator
panel OP 17

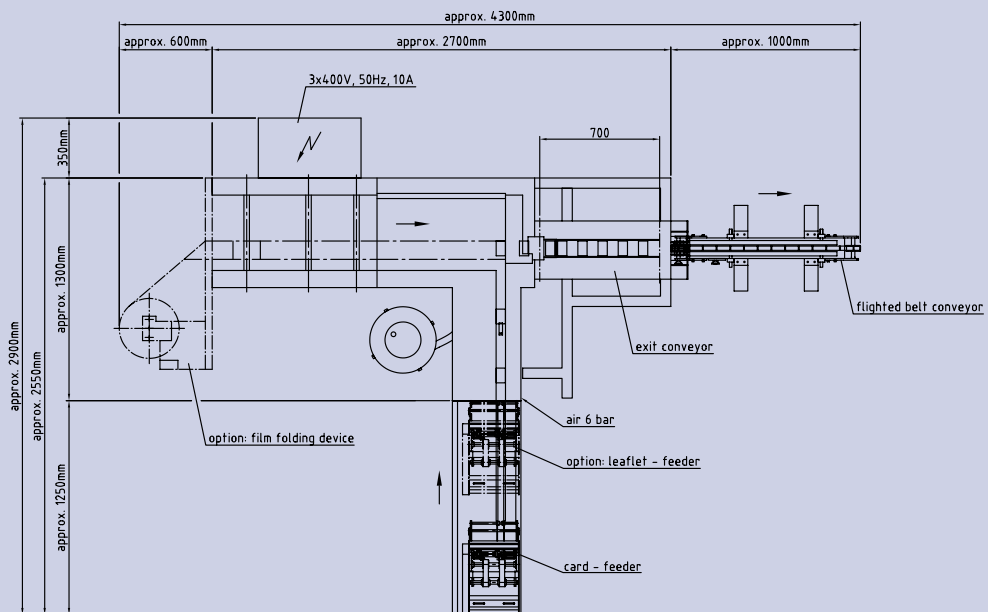
Electrical power
requirements
3 x 400 V/ +N, +PE /
50 Hz
3.5 kVA / 10 A

Air requirements
6 bar (dry and oil free)
consumption: 350 l/min

Ambient temperature /
relative humidity
15 – 25° C / 40 – 65%

Machine dimensions
(LxWxH) / weight
2.25 x 4.30 x 1.85 m /
1.150 kg

10/2006 Technical modifications reserved



KÖRA → **PACKMAT**

KÖRA-PACKMAT
Maschinenbau GmbH
Gewerbestr. 4
78667 Villingendorf
Germany
Phone +49 741 9283-0
Fax +49 741 9283-30
sales@koera-packmat.de
www.koera-packmat.de

KORA-PACKMAT ASIA Pte Ltd
3 International Business Park
#04-32 Nordic European Centre
Singapore 609927
Singapore
Phone +65 6890 6672
Fax +65 6890 6674
sales@kora-packmatasia.com.sg
www.kora-packmatasia.com.sg

KORA-PACKMAT
China Representative Office
203, Block 27, Sunshine Holiday Inn
Zhongxin Dongtai Park
Eastcity District, Dongguan
Guangdong PRC 523000
China
Phone +86 769 22342285
Fax +86 769 22343259
kora-kong@163.net

VMC 100

Card Wrapping System



Wrapping Systems

Greeting cards

Stationery

Cards

Optical media

Feeding Systems

Personalization Systems

Compact

- small footprint

Efficient

- excellent price-performance ratio

Proven

- the most widely used card wrapping machine

The compact economy model for Card Wrapping

- **Economical wrapping of up to 120 cards per minute**

KÖRA-PACKMAT's entry model:
a bestseller among card wrapping machines



Excellent Price-Performance Ratio

- high productivity in 24/7 production
- tight wraps
- use of conventional PP film

Operator Friendly Design

- machine components and adjustment mechanisms are easily accessible

Proven Design Competence

- more than forty years of experience in designing and manufacturing high quality wrapping machines

Comprehensive Customer Support

- highly qualified field service engineers
- international sales and support offices
- fast shipment of spares and consumables

Product Format

VMC 100 wrapping machines handle standard products in CR80 format such as pre-paid phone cards, smart cards, internet cards, SIM cards, and leaflets.

Product Wrapping

VMC 100 wrapping machines can wrap single packs or linked packs; a maximum of twenty-five packs can be in a linked pack.

Machine Configuration

A wide range of different options are available. Adding a camera monitoring system, a labeller, a printer, and an overwrapping machine transforms a VMC 100 into a complete system for wrapping and overwrapping products.

Standard Features



Card Feeder

In-house developed and produced friction feeder feeds cards reliably and accurately.



Heat Sealing Unit

Constantly heated sealing knives in combination with water cooled down holders produce straight, thin and strong seals.



Operator Panel

An operator friendly operator panel is mounted on a movable arm to provide convenient access from either side of the machine.

Options

Leaflet Feeder

Second feeder for feeding leaflets reliably and accurately.

Film Folding Device

A film folding device folds single wound film to center folded film.

Print Registration System

Wrapping products with pre-printed film increases product security. A print registration controller detects

the registration marks and aligns film and product prior to sealing to ensure that a printed image is correctly positioned on each pack.

Labeller

A label can be applied containing fixed data, such as customer name, logo, number of cards per pack, value per card, and variable data such as date, first and last serial number of the cards in the pack, box number and shipper box number.

Camera Monitoring System

The system reads one number or a barcode on the cards and compares these with data in a data file before it sends appropriate data to a printer.

Overwrapping machines

An overwrapping machine can be linked to a VMC 100; customers can select from a wide range of various overwrapping machines with a choice of overwrapping styles.