

Positioned glueing of flat products on cardboard bases

Design and characteristic features:

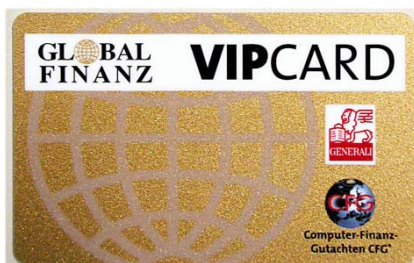
- Feeding, application of adhesive stripes with hot-melt application module and following feeding of the product and pressing against cardboard base.
- Integration of various components like e.g.:
 - Labelling unit
 - ink-jet systems
 - drag mark detectors and others
 - barcode systems
- Feeding of the cardboard bases via feeder (inline or at an angle of 90° to the line)
- Continuously running vacuum conveyor for the transport through the hotmelt stations and dispensers
- Vacuum feeder for applying product like e.g. lotion samples, sachets, post cards, chip cards, booklets on the cardboard bases.
- Quickly running shingled outfeed conveyor for hand-over to the stacking module or following processing machine

Controller:

- PLC interface, 15 pin
- Operator guidance and status indication by LC display
- Preselection for piece number with NOM/ACT comparison
- Fault message indication by way of signal lamp and display
- Selectable operator language
- Electric and electronic plug-type connections
- Own microprocessor control for vacuum conveyor and autoloader
- Level detection in magazine of the feeder.

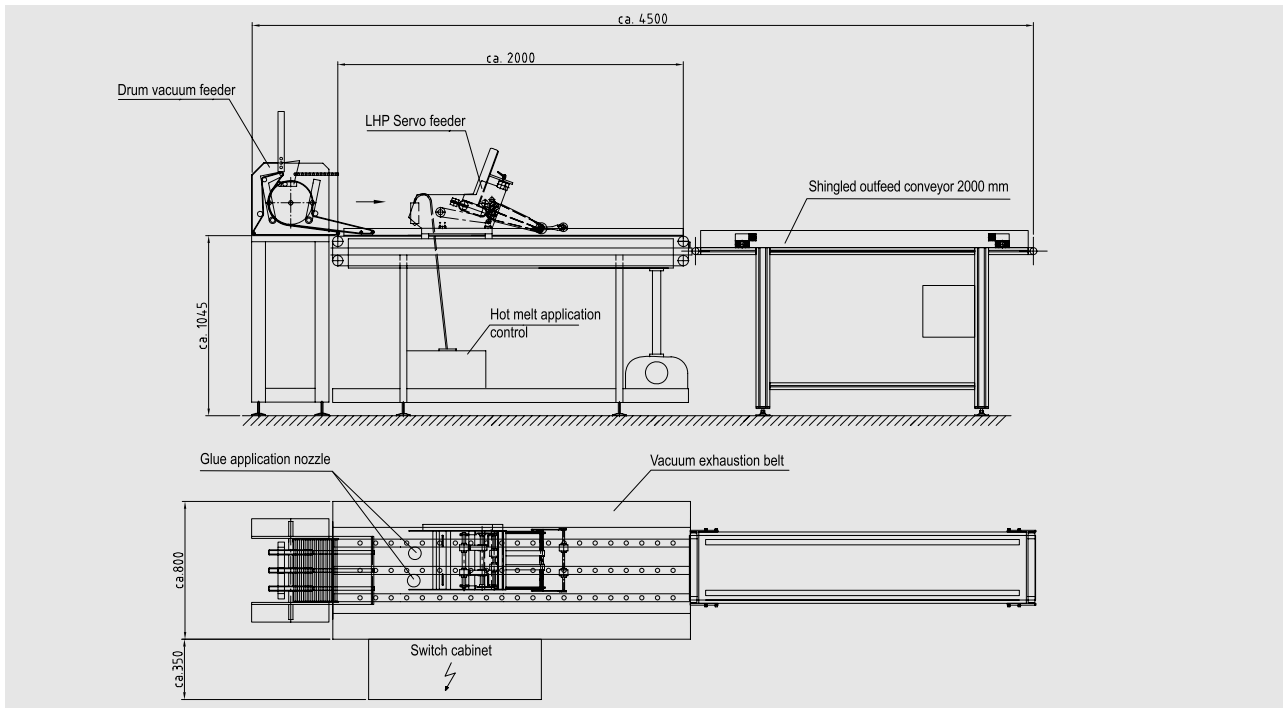
Options:

- Tacho-generator control for external synchronization of the conveyor speed
- Parameter setting via external PLC (number of pieces, start signal, etc.)



Format range (special formats possible)	Min. A6, max. A5
Speed (depending on product)	Max. 100 cycles per min.
Product passage:	Min. 1 mm, max. 30 mm
Magazine loading (depending on product):	Feeder: Standard 580 mm, option 800 mm / 1,000 mm Vacuum conveyor 2,000 mm long, usable width approx. 500 mm
Drive:	DC servo-motors, infinitely controllable
Control:	Microprocessor control, PLC interface, functions for no. of pieces, continuous mode, self-diagnosis, fault message etc. own control for stream feeder band and stream transition conveyor
Supply voltage:	400 V / 50 Hz
Compressed-air connection	6 bar dry, oil-free air, connection ¼ "
Dimensions (W x D x H) / Weight:	Approx. 4,500 x 1150 x 1,800 mm (design as on layout plan) weight depends on the design

Dimensions complete assembly:



Options:

Opening and closing switch	For folded cardboard carrier material
Integration of peripheral devices:	Labelling machine, print systems, upon request
Piling magazine and outfeed at the end of the conveyor	For deposition and manual take-off of the products
Transfer module at the end of the conveyor:	For hand-over to processing machine

